



www.santos.fr

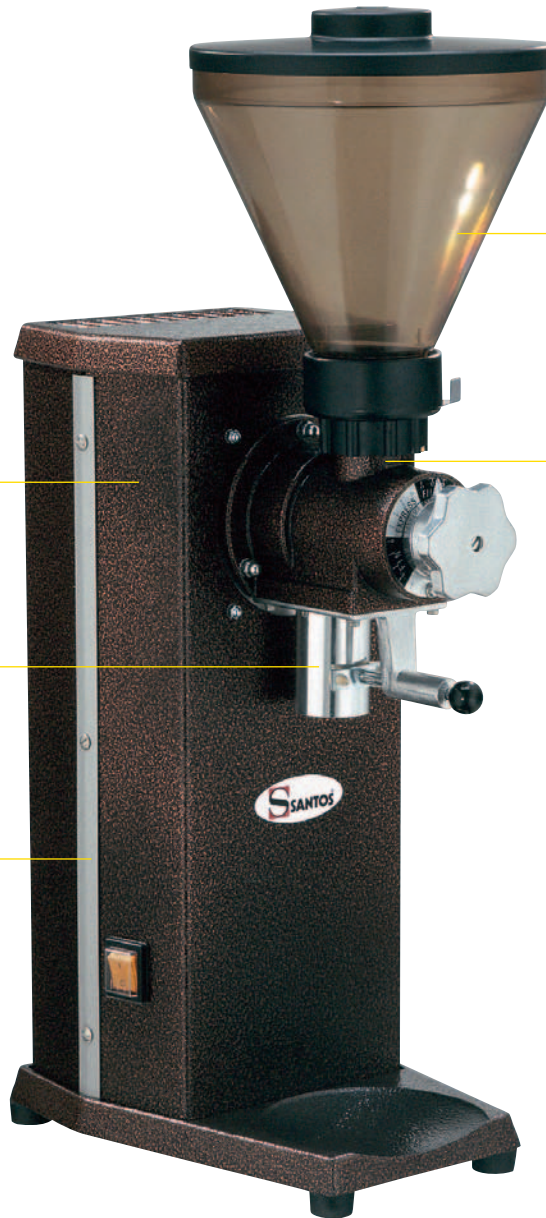


Espresso Coffee Grinder with bag holder #04

For hotels, bars, restaurants, institutions, cafeterias, coffee shops, coffee roasters...

#04 Espresso coffee grinder:

- Special version available on request for pepper and dry spices equipped with a special grinding system (#04P)



Hopper capacity: 1kg (2.2lbs)

Ø63.5mm (2.5") special Santos tempered steel grinding discs (burrs), long lasting, easy to change.

Wide range of precision grinding can be selected. Easy to adjust.

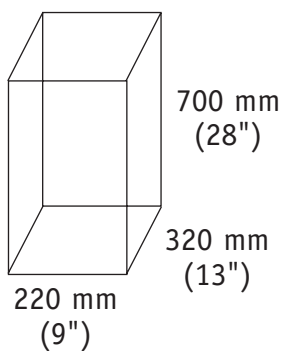
Average output: 14 kg/hour (31 lbs/hr)

Stainless steel and aluminium body

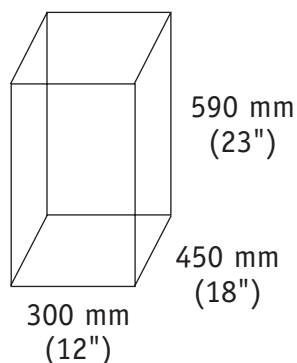
Colors :

● Brown

Appliance:



Shipping Box:



TECHNICAL SPECIFICATIONS

- **Motor:** with thermal protection
Single Phase: 220-240 V - 50/60 Hz - 600 W
100-120 V - 50/60 Hz - 650 W
Speed: 1500 RPM (50 Hz)
1800 RPM (60 Hz)
- **Weight:** Net : 18 Kg (40 lbs)
Shipping: 20 Kg (44 lbs)

Internationally patented models

